

SYSTEM 1400

TECHNICAL INFORMATION
DETAIL DRAWINGS

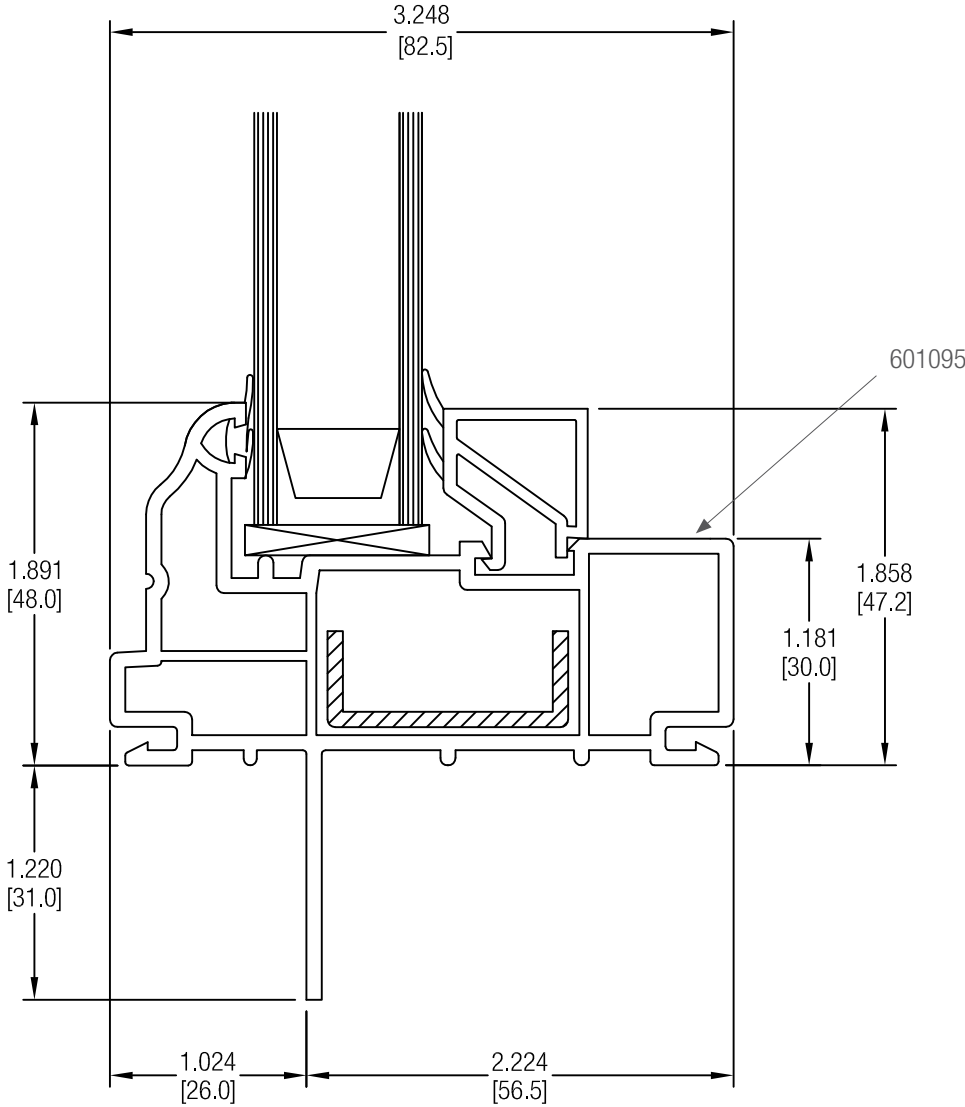
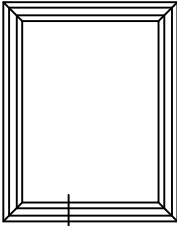
SYSTEM 1400

DETAIL DRAWINGS

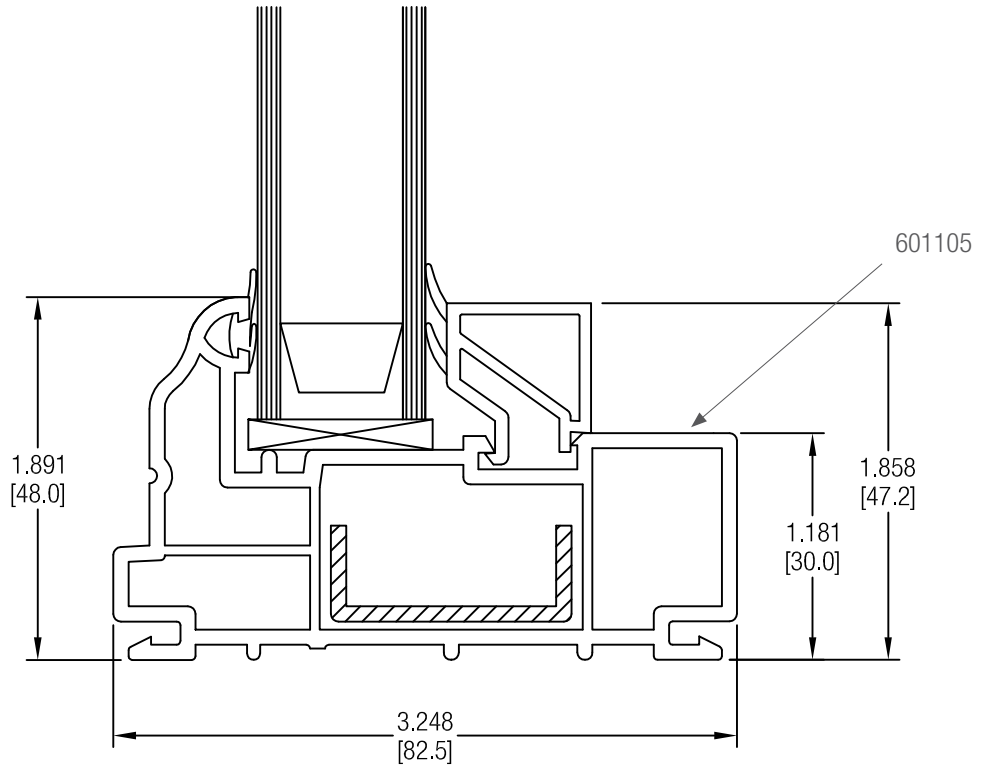
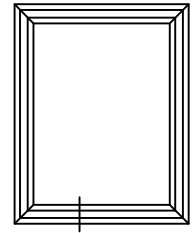
Table of Contents

Prime 3 1/4" Small Picture Frame	3
Replacement 3 1/4" Small Picture Frame	4
Prime 3 1/4" Large Picture Frame	5
Replacement 3 1/4" Large Picture Frame	6
4 5/8" Large Picture Frame	7
Prime 3 1/4" Vent Frame and Casement/Awning Sash	8
Replacement 3 1/4" Vent Frame and Casement/Awning Sash	9
4 5/8" Vent Frame and Casement/Awning Sash	10
Vertical T-Mullion and Casement Sash	11
Vertical Mullings	
Large Picture/Casement Using Art. No. 200216	12
Small Picture/Casement Using Art. No. 200216	13
Small Picture/Casement Using Art. No. 200226	14
Small Picture/Casement Using Art. No. 619845	15

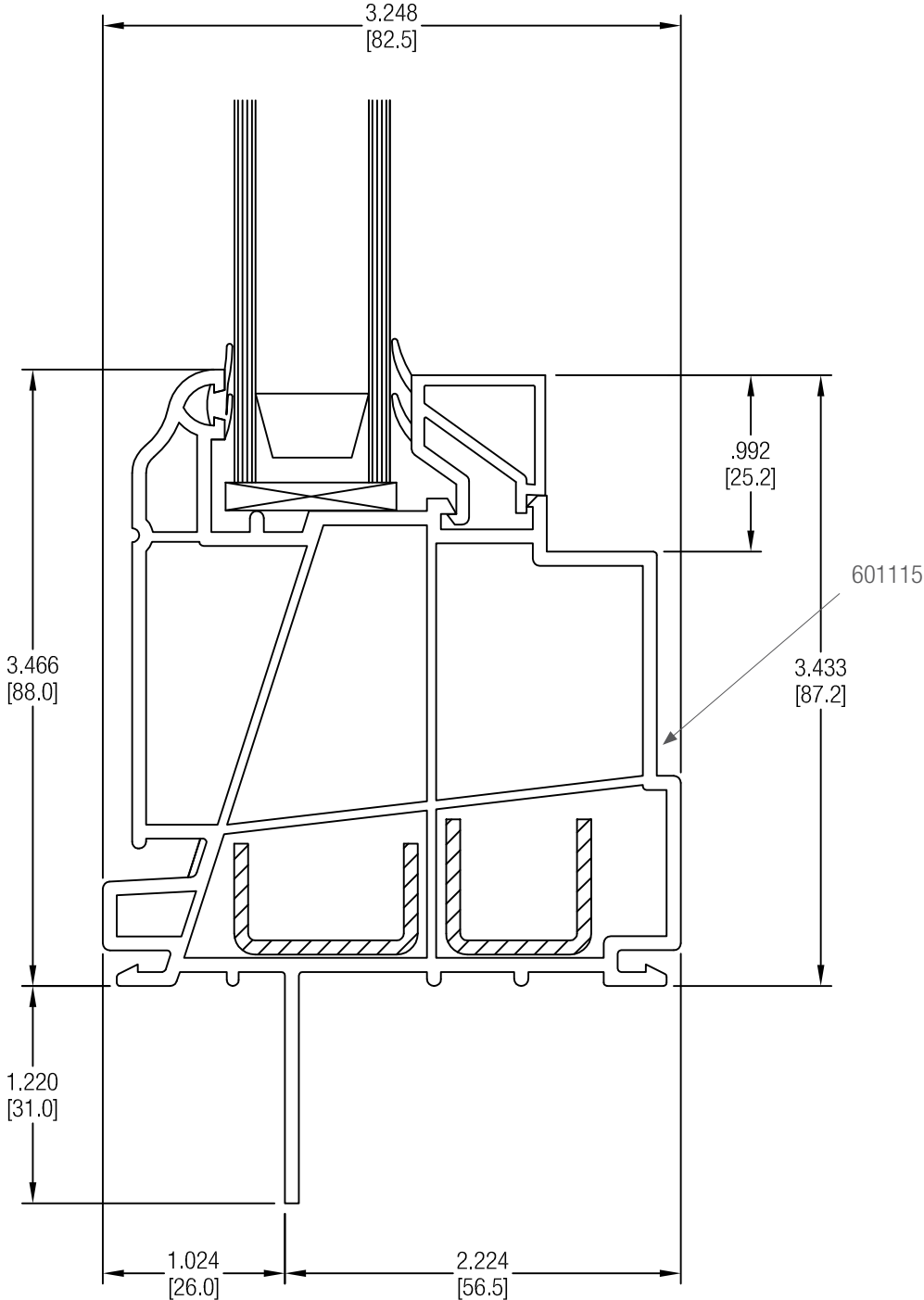
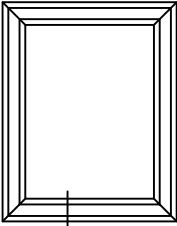
System 1400
Prime 3 1/4" Small Picture Frame



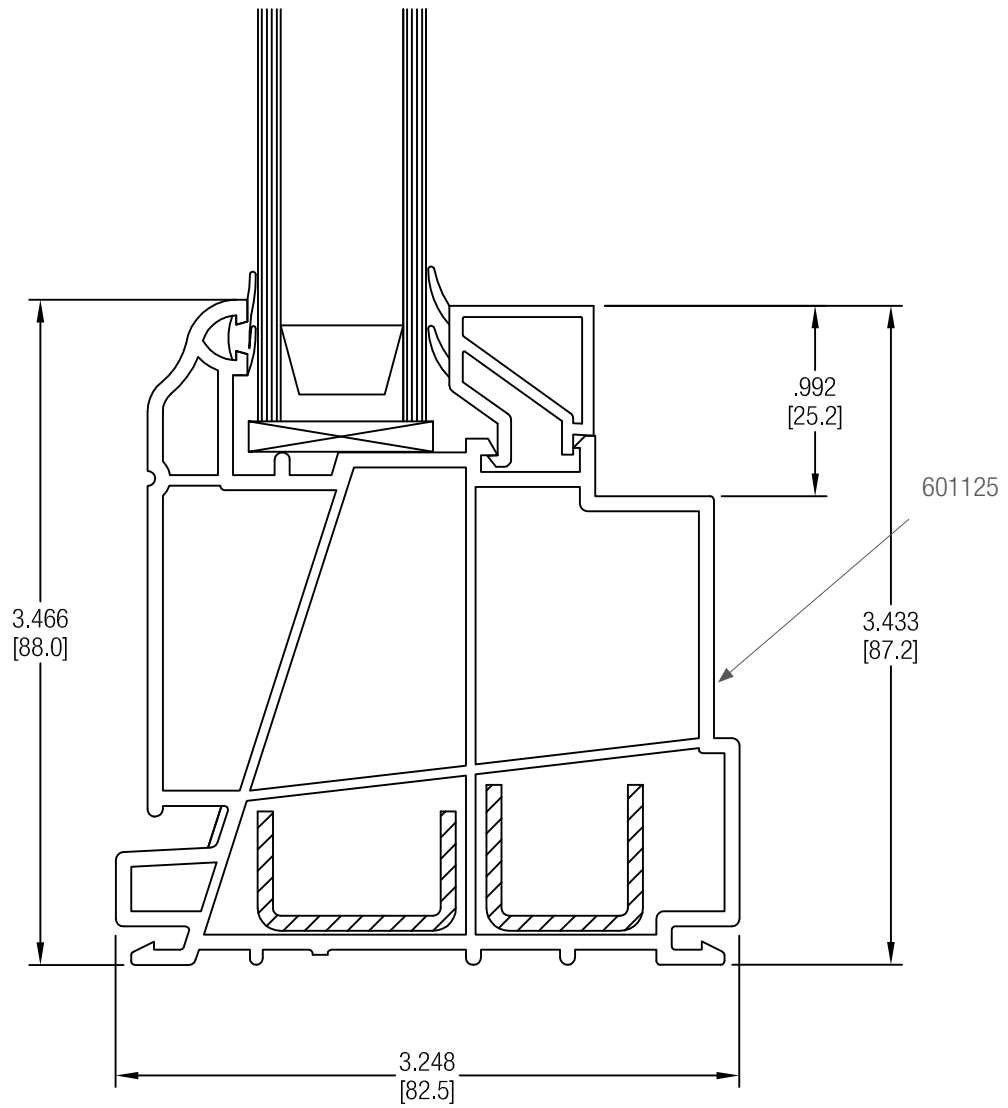
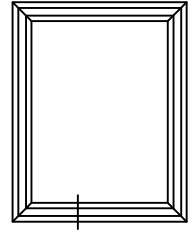
System 1400
Replacement 3 1/4" Small Picture Frame



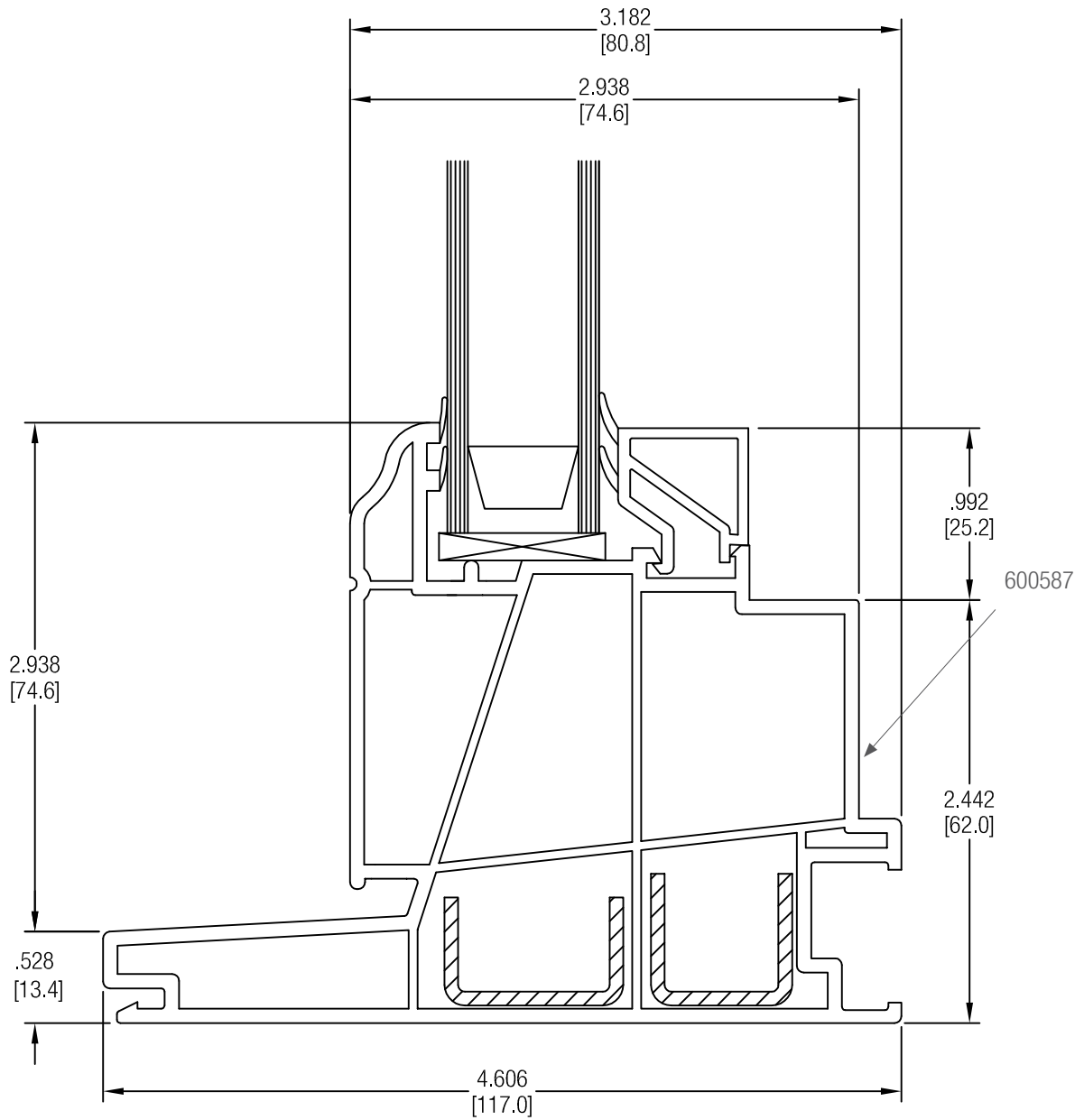
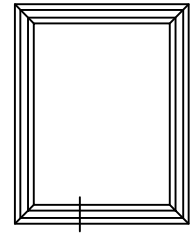
System 1400
Prime 3 1/4" Large Picture Frame



System 1400
Replacement 3 1/4" Large Picture Frame

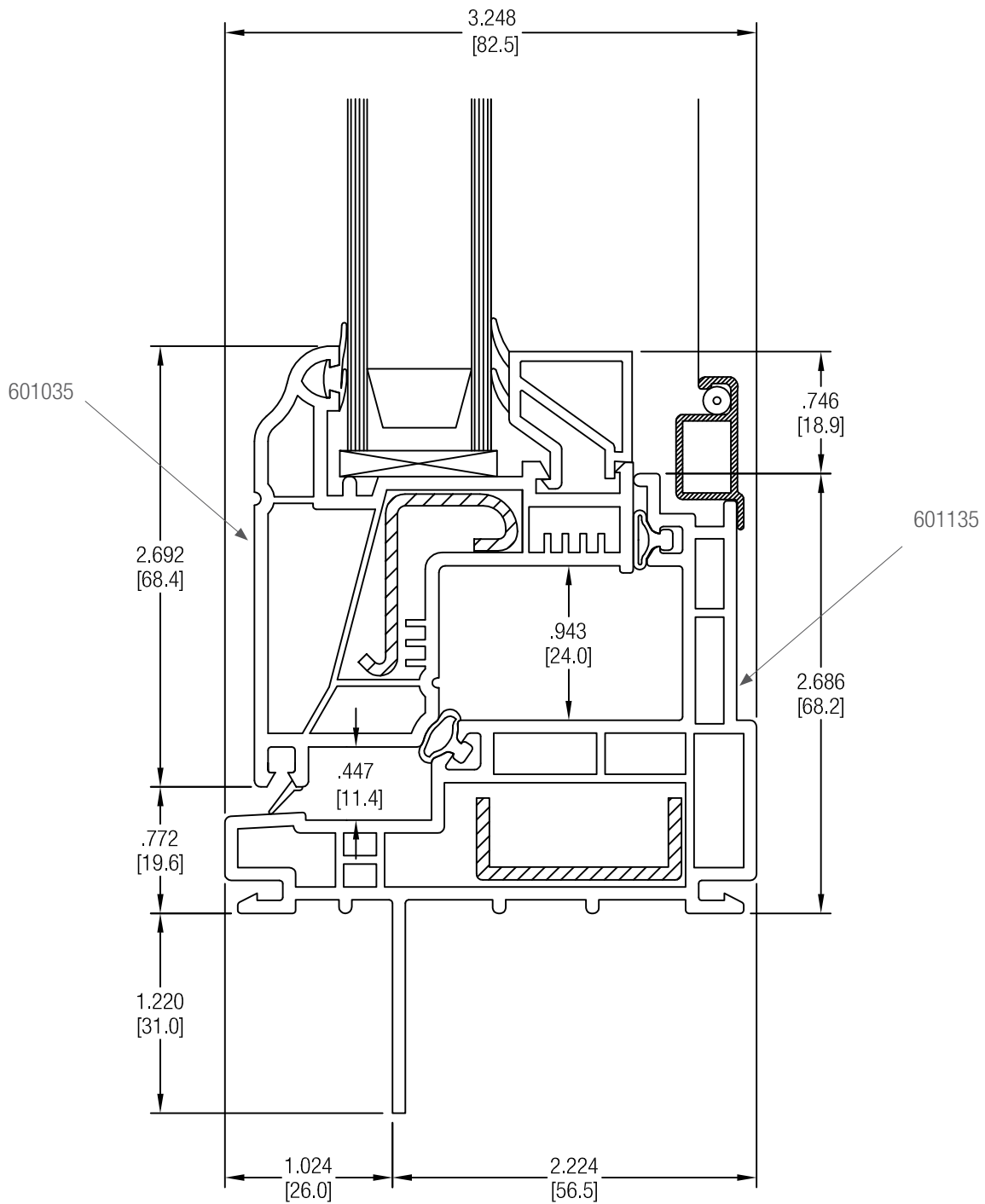
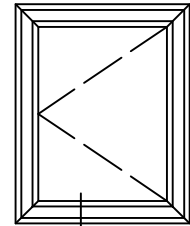
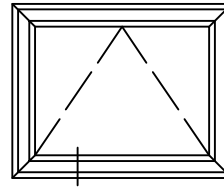


System 1400
4 5/8" Large Picture Frame

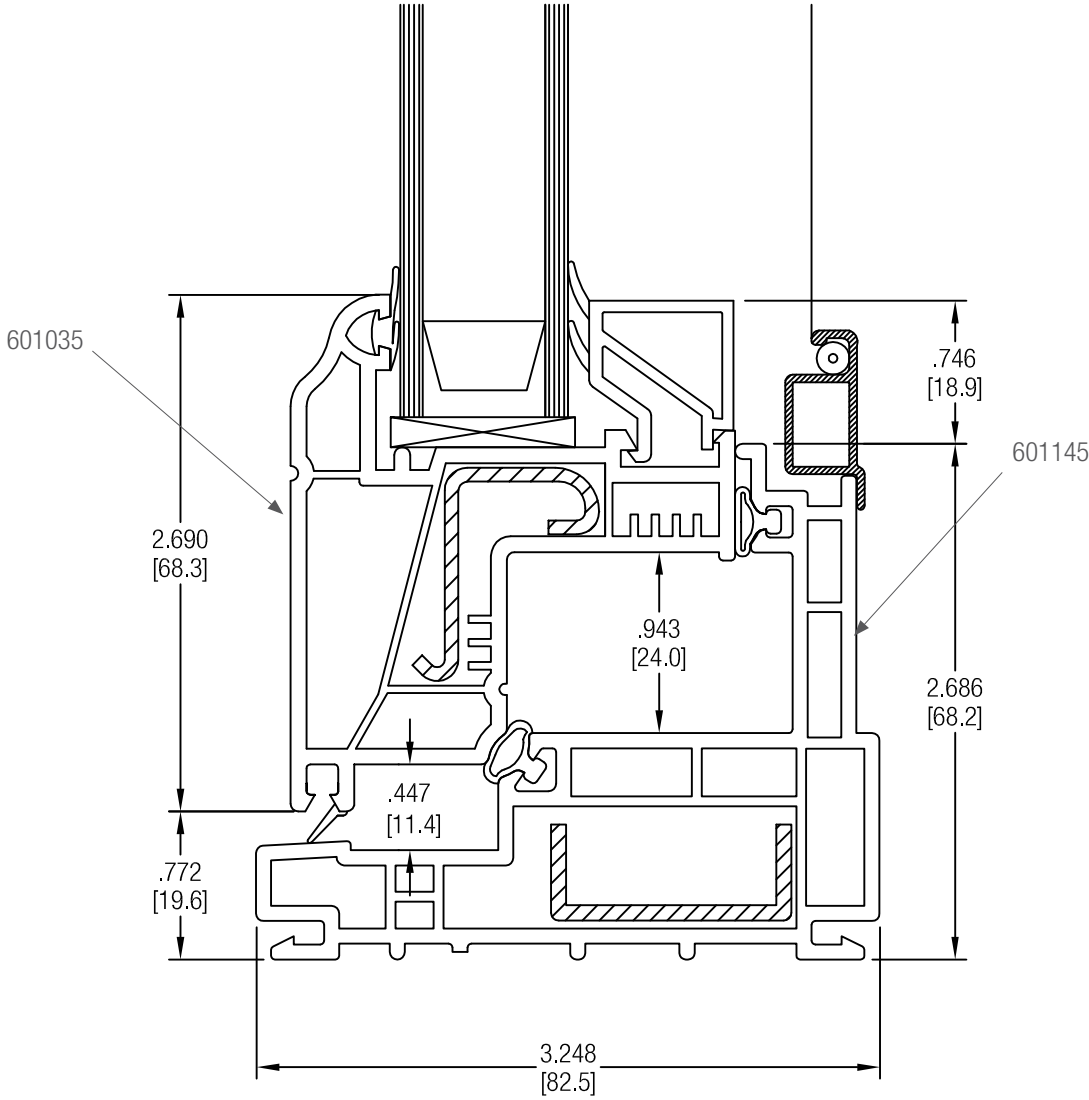
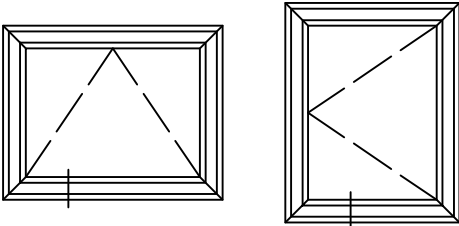


System 1400

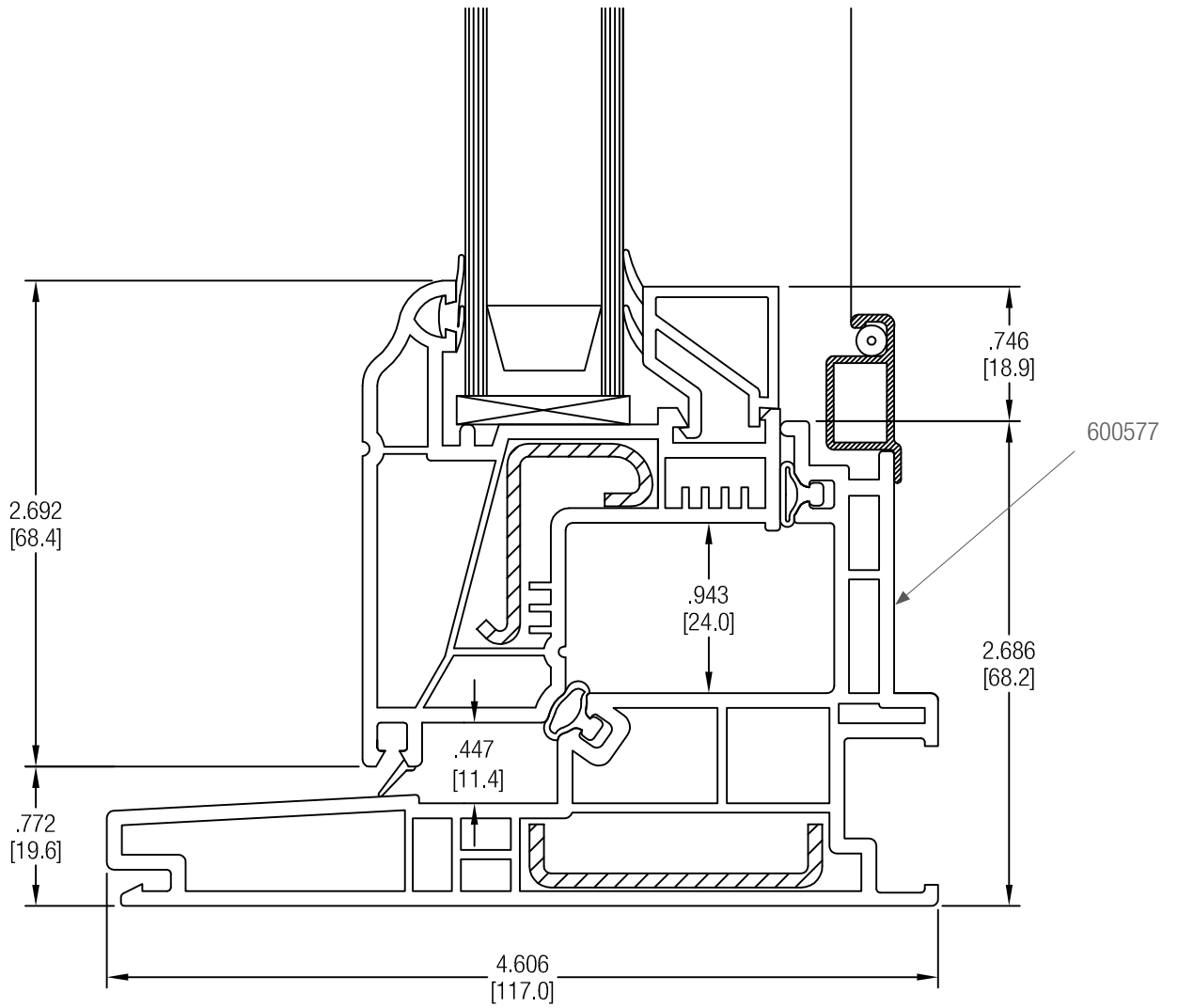
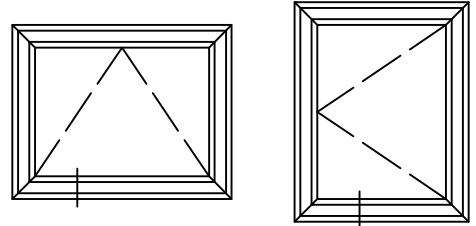
Prime 3 1/4" Vent Frame and Casement/Awning Sash



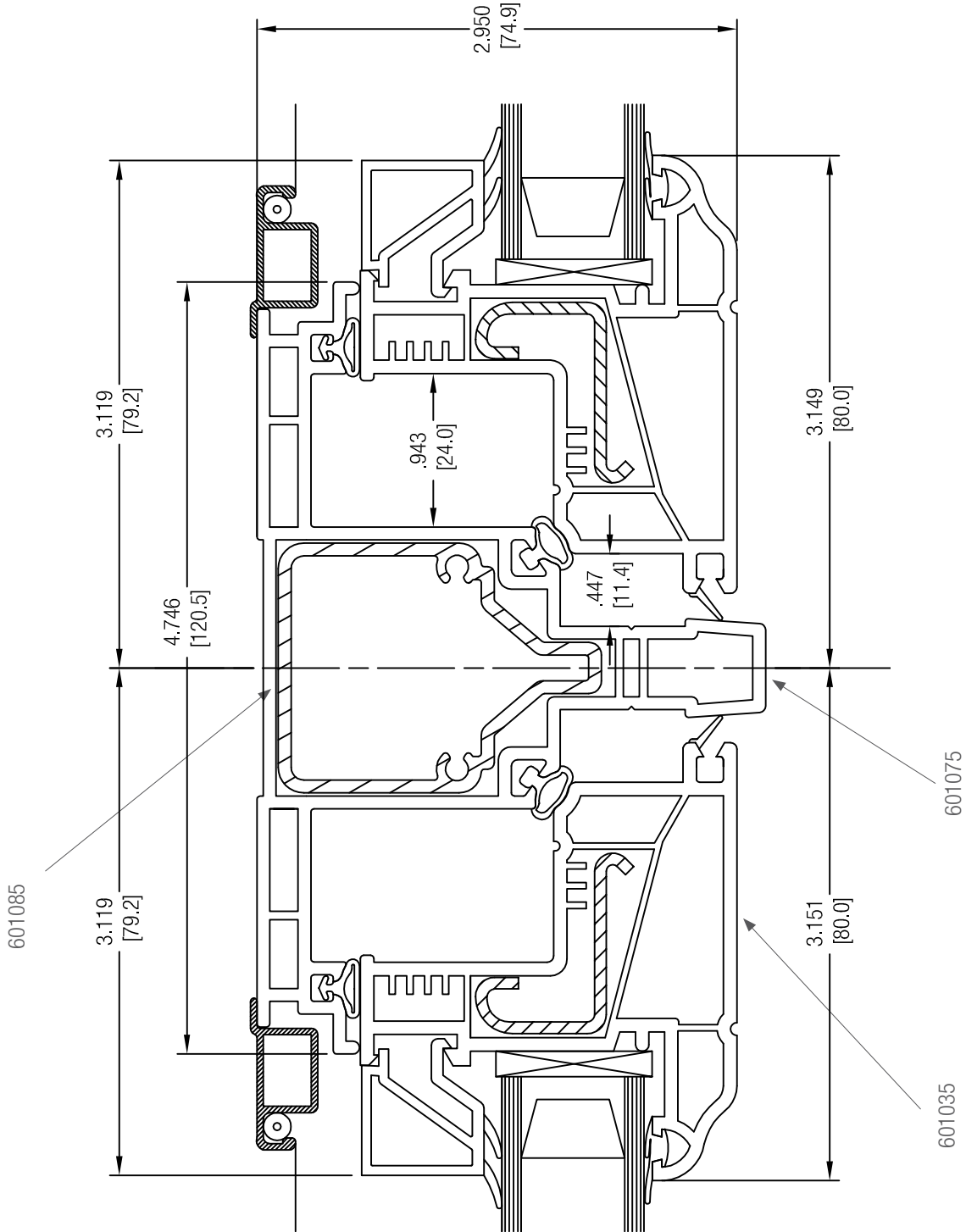
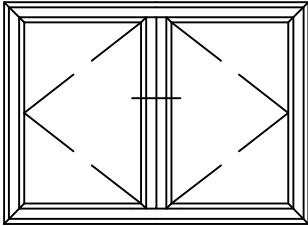
System 1400
Replacement 3 1/4" Vent Frame and Casement/Awning Sash



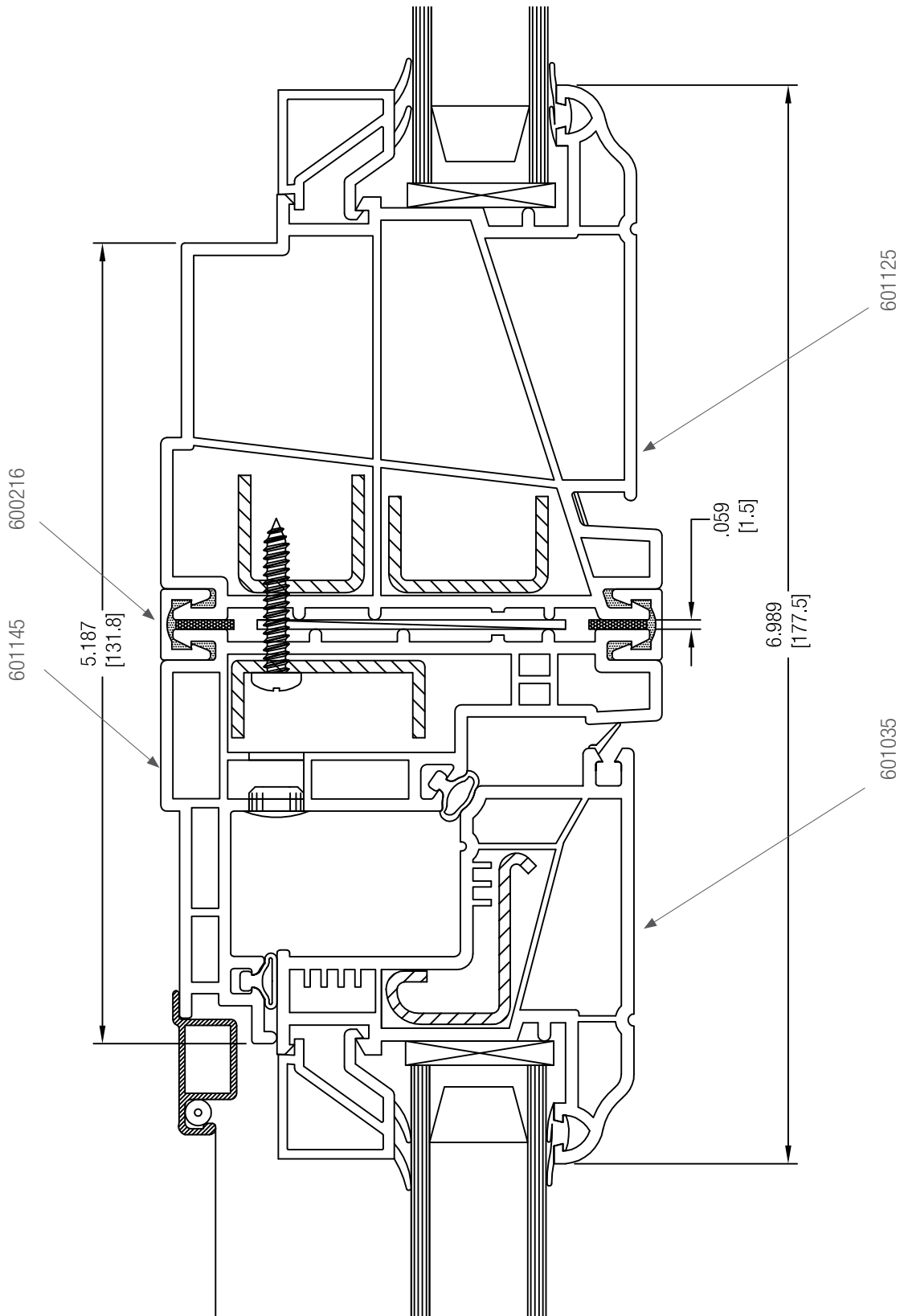
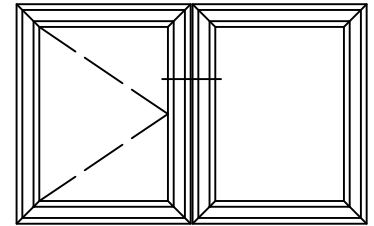
System 1400
4 5/8" Vent Frame and Casement/Awning Sash



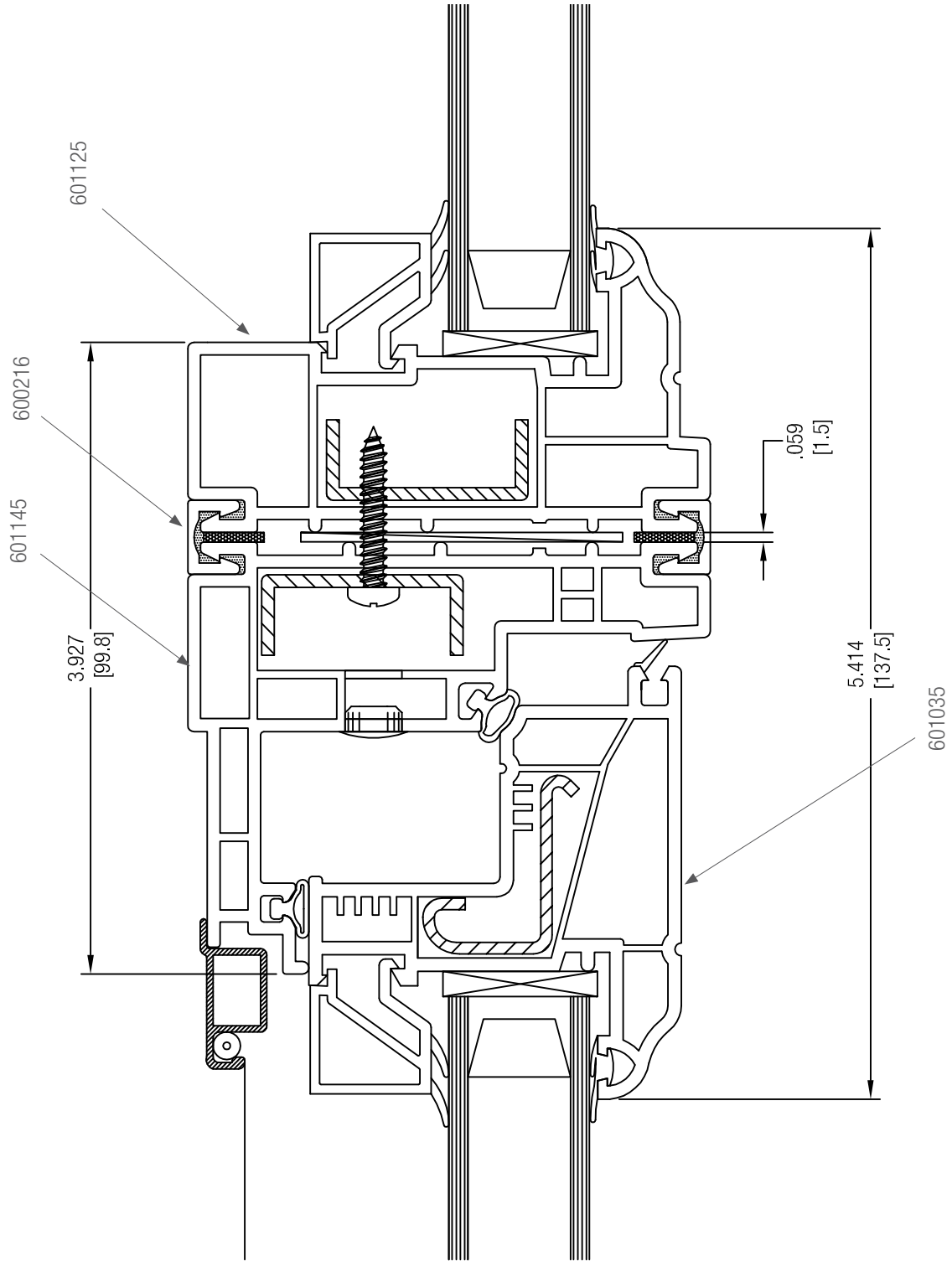
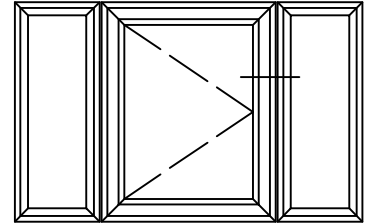
System 1400
 Vertical T-Mullion and Casement Sash



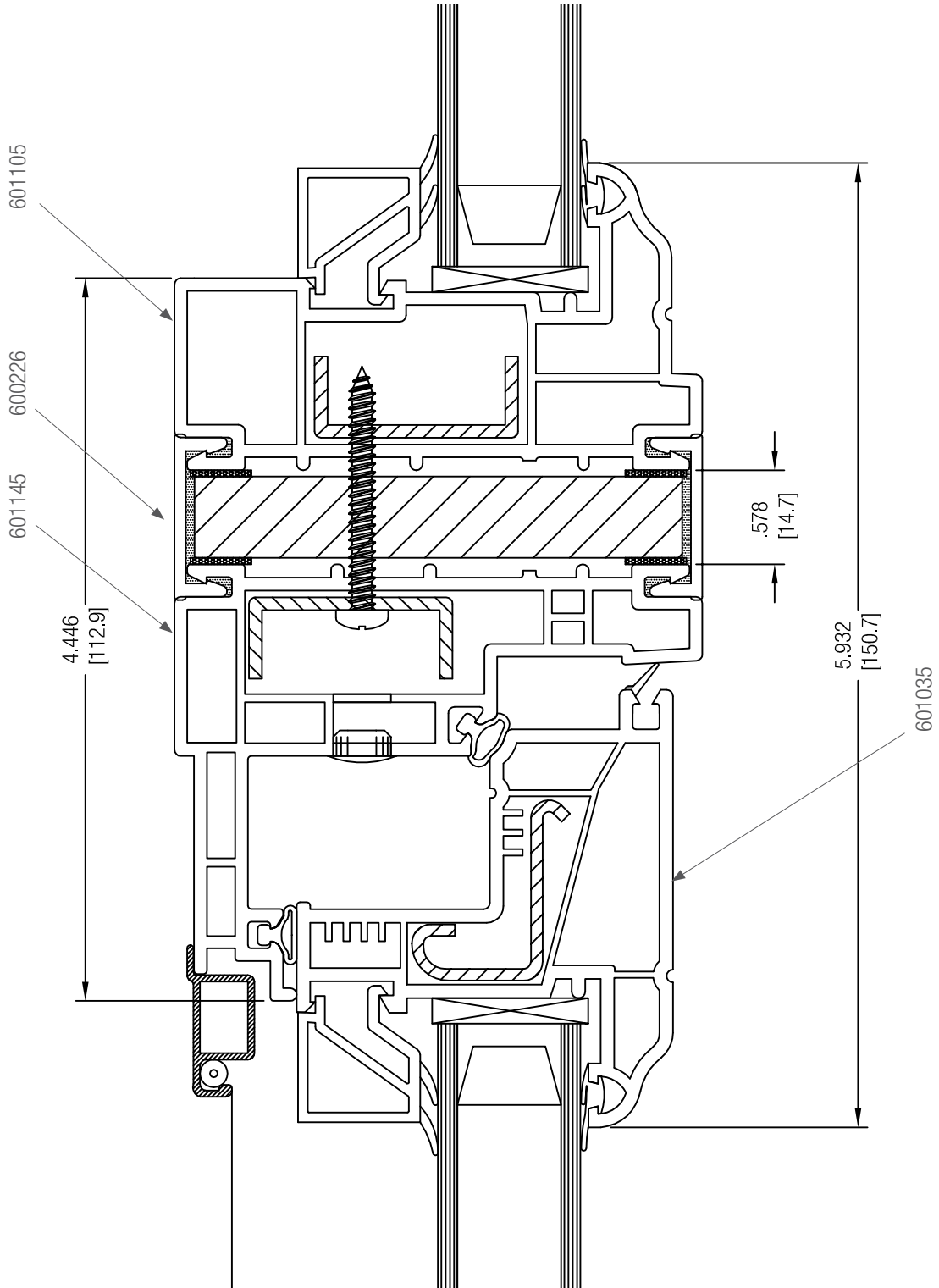
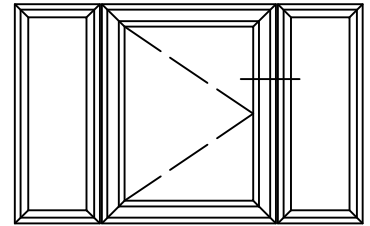
System 1400
 Vertical Mulling – Large Picture/Casement Using Art. No. 600216



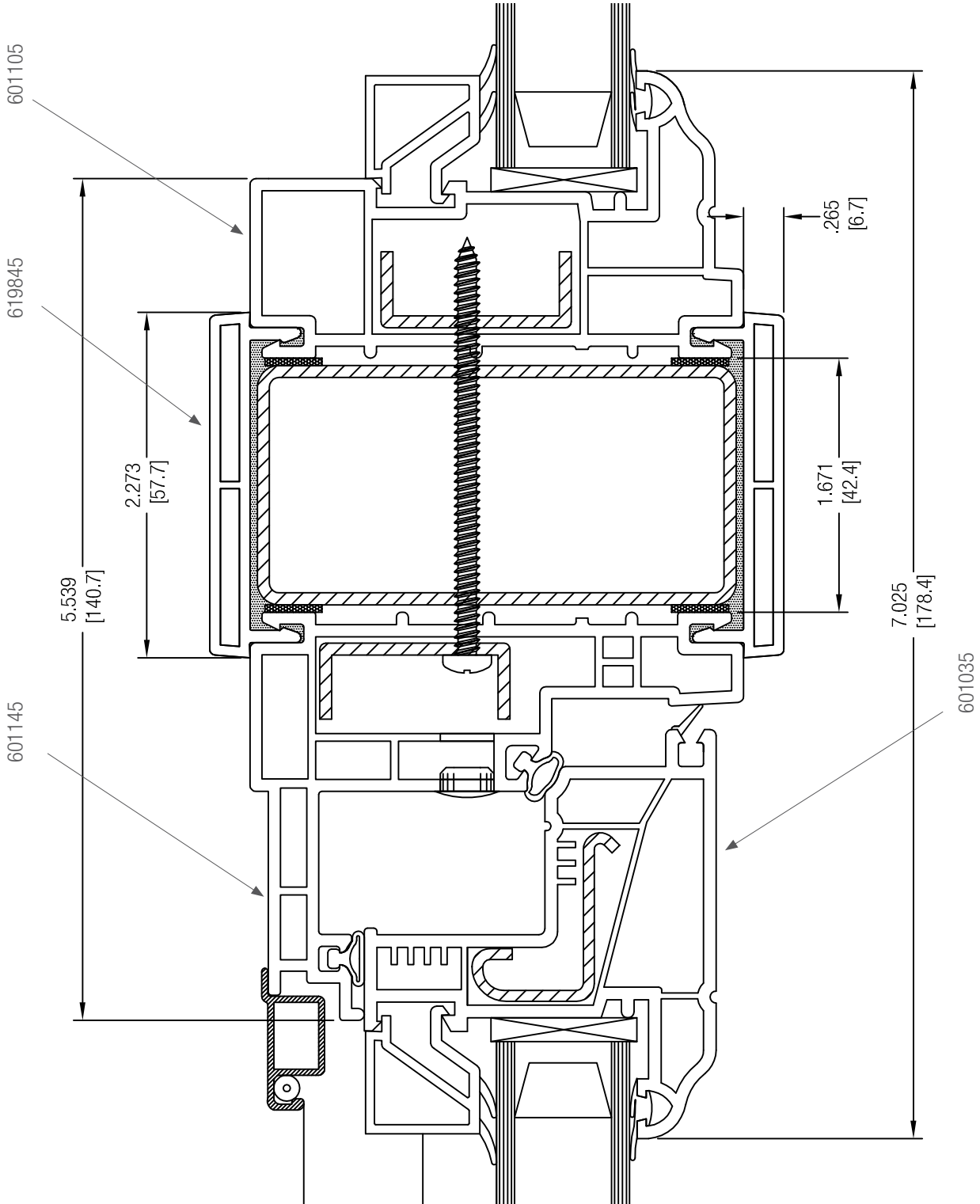
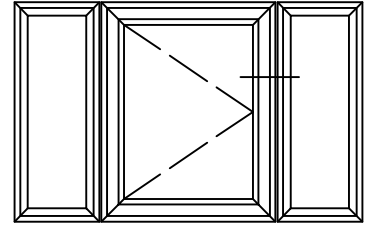
System 1400
 Vertical Mulling – Small Picture/Casement Using Art. No. 600216



System 1400
 Vertical Mulling – Small Picture/Casement Using Art. No. 600226



System 1400
 Vertical Mulling – Small Picture/Casement Using Art. No. 619845



For updates to this publication, visit na.rehau.com/resourcecenter

The information contained herein is believed to be reliable, but no representations, guarantees or warranties of any kind are made as to its accuracy, suitability for particular applications or the results to be obtained therefrom. Before using, the user will determine suitability of the information for user's intended use and shall assume all risk and liability in connection therewith.

© 2011 REHAU Printed in USA